

Specifications

| Model name | ALE 223R | ALE 323R | ALE 623R | ALE 1203R | ALE 1502R | ALE 2202R | ALE 3202R | ALE 6202R | ALE 8201R | ALE 15001R |
|----------------------------|---|----------|----------|-----------|-----------|--------------|-----------|-----------|-----------|------------|
| Capacity | 220g | 320g | 620g | 1200g | 1500g | 2200g | 3200g | 6200g | 8200g | 15000g |
| Readability (d) | 1mg | 1mg | 1mg | 1mg | 0.01g | 0.01g | 0.01g | 0.01g | 0.1g | 0.1g |
| Verification intervals (e) | 10mg | 10mg | 10mg | 10mg | 0.1g | 0.1g | 0.1g | 0.1g | 1g | 1g |
| Class | II | II | II | I | II | II | II | II | II | II |
| Calibration | With internal weight or external weight | | | | | | | | | |
| Repeatability *1 | 1mg | 1mg | 1mg | 1mg | 0.01g | 0.01g | 0.01g | 0.01g | 0.1g | 0.1g |
| Stabilization time *2 | 1.6 sec. | 1.6 sec. | 1.6 sec. | 2.0 sec. | 1.6 sec. | 1.6 sec. | 1.6 sec. | 1.6 sec. | 1.6 sec. | 1.6 sec. |
| Dimension (LxWxH) | 180x230x75mm (not including windshield) | | | | | 190x260x85mm | | | | |

*1 standard deviation *2 typical value

| Model name | ALE 223 | ALE 323 | ALE 623 | ALE 1203 | ALE 1502 | ALE 2202 | ALE 3202 | ALE 6202 | ALE 8201 | ALE 15001 |
|----------------------------|---|----------|----------|----------|----------|--------------|----------|----------|----------|-----------|
| Capacity | 220g | 320g | 620g | 1200g | 1500g | 2200g | 3200g | 6200g | 8200g | 15000g |
| Readability (d) | 1mg | 1mg | 1mg | 1mg | 0.01g | 0.01g | 0.01g | 0.01g | 0.1g | 0.1g |
| Verification intervals (e) | 10mg | 10mg | 10mg | 10mg | 0.1g | 0.1g | 0.1g | 0.1g | 1g | 1g |
| Class | II | II | II | I | II | II | II | II | II | II |
| Calibration | With external weight | | | | | | | | | |
| Repeatability *1 | 1mg | 1mg | 1mg | 1mg | 0.01g | 0.01g | 0.01g | 0.01g | 0.1g | 0.1g |
| Stabilization time *2 | 1.6 sec. | 1.6 sec. | 1.6 sec. | 2.0 sec. | 1.6 sec. | 1.6 sec. | 1.6 sec. | 1.6 sec. | 1.6 sec. | 1.6 sec. |
| Dimension (LxWxH) | 180x230x75mm (not including windshield) | | | | | 190x260x85mm | | | | |

*1 standard deviation *2 typical value

Options

Output options : Extension RS232C, Ethernet, Relay contact
* only one option can be installed.

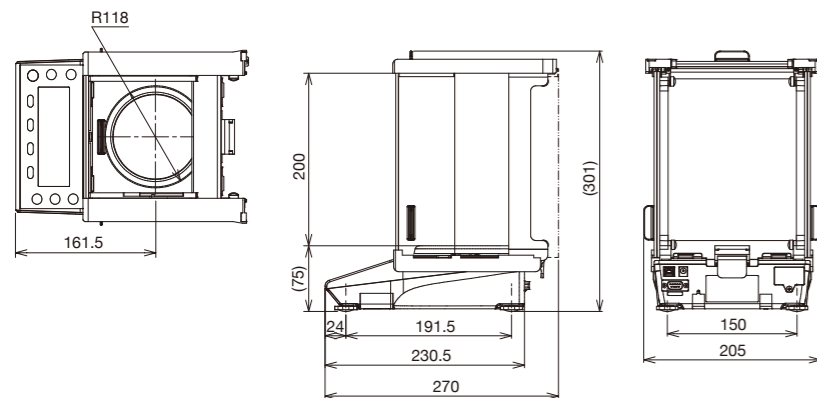
Other options : Specification gravity measurement kit

Common specifications

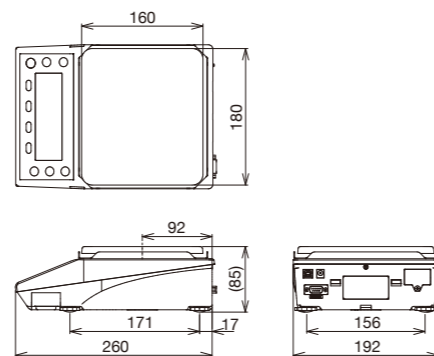
Measuring system : Tuning-fork frequency sensing
Tare : Full weighing range
Display : 7 segments LCD (main display)
 16 segments LCD (sub display)
Power source : AC adapter: Input 100-240VAC, 50-60Hz / Output 5.95VDC
 Dry-cell battery: AA batteries 4pcs
 (with backlit OFF, communication signal OFF: 150-hour continuous operation)
 (with backlit ON, communication signal ON: 15-hour continuous operation)
Output : RS232C & USB (typeB)

Dimensions

■ ALE 223(R) - ALE 1203(R)



■ ALE 1502(R) - ALE 15001(R)



Please see our website when you need drawing in electric format.
 The contents of this catalogue are subject to change due to modifications and/or other reasons.

SHINKO DENSHI CO., LTD.

SHINKO DENSHI CO., LTD.
 3-9-11 YUSHIMA, BUNKYO-KU, TOKYO 113-0034
 TEL : 81-3-3831-9656 FAX : 81-3-5818-6066
 URL : <http://www.vibra.co.jp/global/>
 E-mail : shinko-denshi@vibra.co.jp
www.facebook.com/VIBRAbalance

Distributed by:

1611-k

ALE Series



Optimize your Laboratory Weighing



SHINKO DENSHI CO., LTD.



Minimize operation time with "Free keys"

Three keys on the front can work as "free keys". You can assign short-cut of often used functions on these keys. You don't need to push keys many times and minimize operation time.



Optimize your laboratory weighing

- Compact housing
- Short stabilization time
- User friendly operation

ALE provides three advantages as key value. ALE series is new answer to optimized weighing operation in the laboratory.

ALE Series



ALE 6202



ALE 1203



Compact housing

ALE is the most space-saving precision balance. You can install the balance wherever you want, even in very small laboratory.



Communication with outside devices



RS232C and USB are installed as standard to connect to outside devices like PC and printer. Extension RS232C, ethernet and relay contact can be available as additional option.



Short stabilization time

We have considerably reduced stabilization time by improved filtering technology. Short stabilization time is indispensable for efficient weighing operation.



Battery drive

ALE can be operated with dry-cell batteries thanks to low power consumption in tuning-fork sensor unit. Battery is useful also as reserve electric power.

Software applications

Specific gravity measurement, formulation, parts counting, etc... Much applications are available with comfortable operation.

